

Model D260DW

Round Damper • Single Thickness Blade • Volume Control • Dual Wall Insulated • Galvanized Steel

For use to 3000 FPM

STANDARD CONSTRUCTION

FRAME: Inner sleeve thickness: 20 GA. galvanized steel on dampers 4" dia. to 11" dia.
18 GA. on dampers 12" dia. to 34" dia. 16 GA. on dampers 35" dia. and above.
Outer sleeve thickness: 18 GA. galvanized steel on dampers 4" dia. to 24" dia.
16 GA. on dampers 25" dia. and above.

BLADE: 18 GA. on dampers 4" dia to 11" dia.
16 GA. on dampers 12" dia. and above.

SHAFT: 1/2" dia. plated steel continuous on dampers 4" dia. to 34" dia.
3/4" dia. plated steel on dampers 35" dia. and above.

BEARINGS: Swaged hole for both frames with thrust washer on dampers 4" dia. to 34" dia.
Bronze oilite on dampers 35" dia. and above.

ACTUATOR: Q-37 hand quadrant is standard on dampers 4" dia. to 34" dia.
Q-168 hand quadrant is standard on dampers 35" dia. and above.

FINISH: Mill.

OPTIONS

Materials - Extruded Aluminum, Galvanized Steel, or Stainless Steel

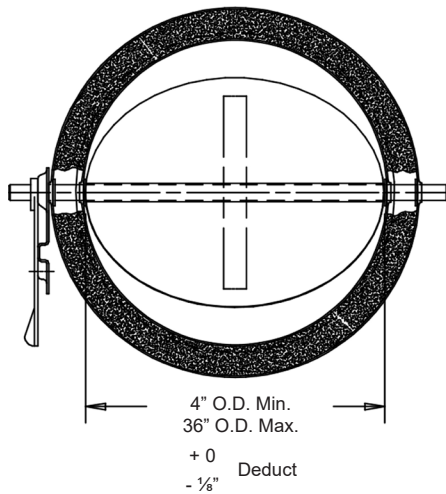
Actuators - Electric or Pneumatic

NOTES

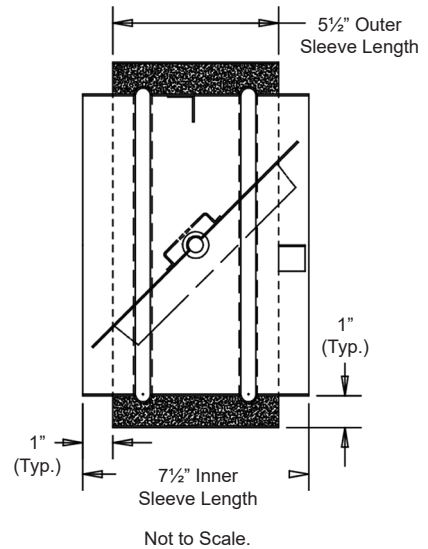
- Nominal deductions will be made to the opening size given.
- Round dampers are available in 1" increments only.
- This damper is designed for air balancing applications. It is dual wall insulated for installation in spiral ductwork and becomes a part of the ductwork.
- The rolled inner frame ribs provide greater reinforcement and ease of installation.
- To calculate approximate shipping weight (lbs./in.), use the following formula:
Diameter (in.) × 0.47 (lbs./in.)

DAMPER SIZES

Sleeve	Min Dia.	Max Dia.
Inner	4" O.D.	36" O.D.
Outer	6" O.D.	38" O.D.



Damper fits inside both skins of dual wall spiral duct. Note that O.D. and I.D. are 1/8" undersized.



Item #	Qty	Damper Size O.D.	Tagging	Remarks		
				ECN:	Job:	DWG:
Arch. / Eng.:				EDR:		
Contractor:						
Project:				Date:	DWN:	DWG:



Union Made

In the interest of product development, Louvers & Dampers reserves the right to make changes without notice.

www.louvers-dampers.com

450 Riverside Drive • Wyalusing PA, 18853 • Phone 570-746-1888 • Fax 570-746-9286



Model D260DW

Round Damper • Single Thickness Blade • Volume Control • Dual Wall Insulated • Galvanized Steel

PERFORMANCE DATA

Pressure drop ratings are based on AMCA Standard 500 using test set-up figure 5.3 for a damper installed with duct upstream and downstream. Static pressures are corrected to .075 lb./cu.ft. air density.

